



TB290 FULL HYDRAULIC EXCAVATOR

OPERATOR COMFORT



- **POWERFUL ENGINE** (Yanmar : 51.6 kw / Isuzu : 52.0 kw)
- **6-WAY MULTI-ADJUSTABLE SUSPENSION SEAT** and retractable seat belt (AIR SUSPENSION SEAT: OPTION)
- **ROLL UP FRONT WINDOW** with gas spring lift assist cylinder
- **RADIO WITH AUXILIARY JACK** for MP3 Player
- **SUN SHADE** (STANDARD) / **RAIN GUARD** (OPTION)
- **AUTO AIR CONDITIONER** (STANDARD)
- **REAR CAMERA** (STANDARD) enables to check rear view easily

EVOLUTION OF TECHNOLOGY

SERVICEABILITY

EVOLUTION OF TECHNOLOGY

- **WIDE OPENING ENGINE COVER**
- **LARGE SIDE COVER** with gas spring lift assist
- **SIGHT GAUGES FOR FUEL AND HYDRAULIC FLUID LEVELS**
- **GROUND LEVEL FUEL FILL** WITH LOCKABLE ACCESS PANEL
- **AUTOMATIC FUEL BLEED SYSTEM**
- **AUTOMATIC TRACK TENSIONING SYSTEM**



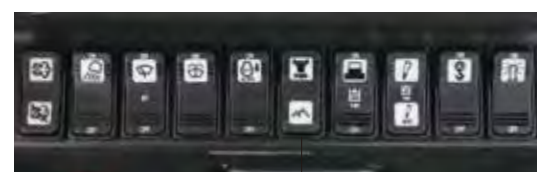
TB-290
SERVICEABILITY



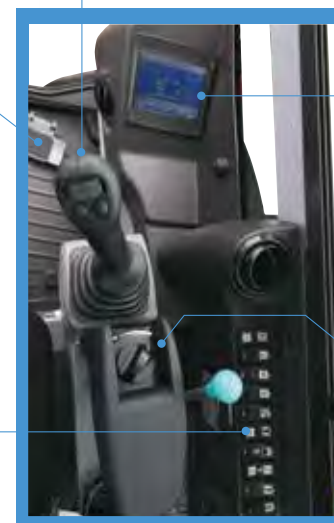
EASE OF OPERATION

EVOLUTION OF TECHNOLOGY

- **ADJUSTABLE SERVICE FLOW SETTINGS**
- **SERVICE PORT 1: ADJUSTABLE THREE MODE FLOW SETTINGS**
- **SERVICE PORT 2 / 4: ADJUSTABLE ONE MODE FLOW SETTING**
- **LOAD SENSING SYSTEM**
- **EASY CONTROL LEVER** (CHANGEABLE JOYSTICK CONFIGURATION)
- **POWER & HIGHLAND MODE**
- **AUTO DECEL SYSTEM**
- **FLOAT ANGLE DOZER BLADE** (OPTION for WIDE BLADE)
- **FLOAT DOZER BLADE** (OPTION)



Optimizes engine and hydraulic system according to the working situation



EVOLUTION OF TECHNOLOGY

SAFETY

- **AUDIBLE AND VISUAL WARNING WITH LCD MONITOR**
- **FRONT AND REAR MOUNTED LIGHTS**
- **WORK LIGHT FRONT X 2 AND REAR X 1** (OPTION)
- **ROPS/OPG CAB** (OPG top guard/ISO10262 level 1: STANDARD)
- **PILOT CIRCUIT FILTER**
- **BOOM HOLDING VALVE** (STANDARD) / **ARM HOLDING VALVE** (OPTION)

EQUIPMENTS & OPTIONS

EVOLUTION OF TECHNOLOGY

OPERATOR COMFORT

- **AIR SUSPENSION SEAT** (OPTION)
- **AUTO DECEL** (STANDARD)
- **AUTOMATIC AIR CONDITIONER** (STANDARD)
- **FABRIC SEAT** (STANDARD)
- **HEAD REST** (STANDARD)
- **RAIN GUARD** (OPTION)
- **RETRACTABLE SEAT BELT** (STANDARD)
- **SUN SHADE** (STANDARD)



SERVICEABILITY

- **AIR BREATHER** (STANDARD)
- **AUTOMATIC TRACK TENSIONER** (STANDARD)
- **DUAL AIR FILTER ELEMENT** (STANDARD)
- **FUEL TRANSFER PUMP** (STANDARD)

EASE OF OPERATION

- **AUTO DECEL** (STANDARD)
- **HEAVY COUNTER WEIGHT** (STANDARD)
- **SWING STOPPER** (OPTION)
- **FLOAT ANGLE DOZER BLADE** (OPTION for WIDE BLADE)
- **FLOAT DOZER BLADE** (OPTION)

SERVICE PORT

- **SERVICE PORT1** (HIGH FLOW TYPE: STANDARD)
- **SERVICE PORT2** (STANDARD)
- **SERVICE PORT3** (OPTION)
- **SERVICE PORT4** (OPTION)



OTHER EQUIPMENTS & OPTIONS

- **2-PIECE BOOM** (OPTION)
- **2-WAY LEVER** (OPTION)
- **ACCUMULATOR** (STANDARD)
- **BUCKET** (OPTION)
- **LONG ARM** (OPTION)
- **MIDDLE ARM** (OPTION)
- **RUBBER PADS ON STEEL TRACK** (OPTION)
- **GEO-GRIP TRACK** (OPTION)
- **STEEL TRACK** (OPTION)
- **500mm STEEL TRACK** (OPTION)
- **AUTO TANK** (OPTION)
- **AUTO PRESSURE RELEASE** (OPTION)



SAFETY

- **ROOF GUARD** (OPTION: for OPG TOP GUARD LEVEL 2)
- **TRAVEL ALARM** (OPTION)
- **WORK LIGHT, CABIN** (OPTION)
- **FRONT GUARD** (OPTION: for OPG FRONT GUARD LEVEL 2)

HOLDING VALVE

- **BOOM HOLDING VALVE** (STANDARD)
- **ARM HOLDING VALVE** (OPTION)
- **ADJUST CYLINDER HOLDING VALVE** (OPTION: 2-PIECE BOOM)

FULL HYDRAULIC EXCAVATOR

TB290



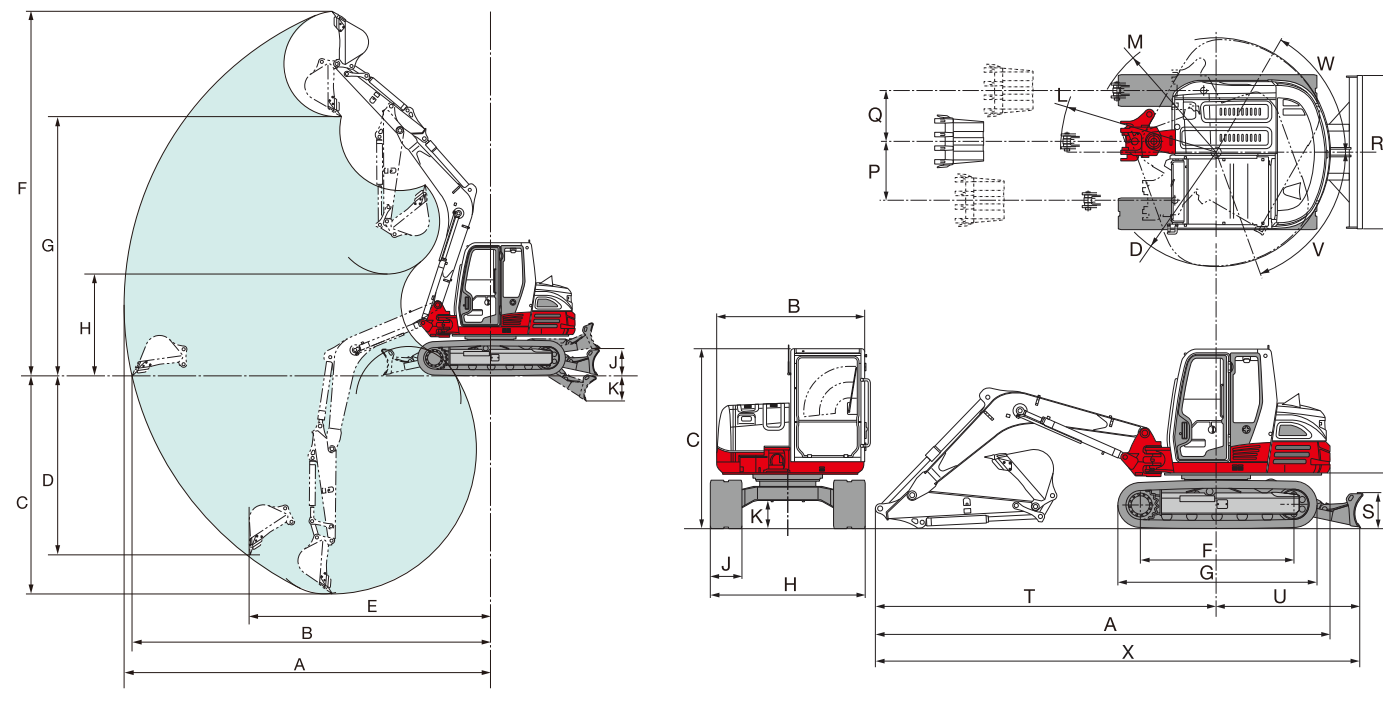
TAKEUCHI

FULL HYDRAULIC EXCAVATOR

TB290

OPERATING RANGES:mm

MACHINE DIMENSIONS:mm



Operating Range (Mono boom)

ARM	Standad	Middle	Long
A	7105	7275	7435
B	6950	7125	7290
C	4230	4410	4580
D	3470	3650	3820
E	4685	4720	4755
F	7030	7165	7290
G	4995	5135	5260
H	1950	1785	1640
J	505	—	—
K	500/560*	—	—

* : With an angle dozer blade

Dimensions (Mono boom)

ARM	Standad	Middle	Long
A	6530/6565**	6575/6610**	6660/6695**
B	2140	—	—
C	2550/2560*	—	—
D	1650/1685**	—	—
E	770/760*	—	—
F	2210/2180*	—	—
G	2855/2830*	—	—
H	2200	—	—
J	450	—	—
K	370/360*	—	—
L	2240	2360	2495
M	1810	1910	2030
P	685	—	—
Q	890	—	—
R	2200	—	—
S	500	—	—
T	4890	4935	5020
U	2055/2060*	—	—
V	70*	—	—
W	60*	—	—
X	6945	7000	7085

Units:mm ** : With steel crawlers ** : With extra weight

SPECIFICATIONS TB290 (Mono boom , Rubber crawlers)

Machine	TB290 (Yanmar Engine)	TB290 (Isuzu Engine)	
Weight	Operating Mass (ISO6016) : kg	8400	8425
BUCKET	Bucket Capacity : m ³	0.245	0.245
	Bucket Width : mm	750	750
ENGINE	Engine Model	Yanmar 4TNV98CT-WTB	ISUZU AP-4JJ1TASB-01
	Engine Compliance	Stage III B / EPA Tier 4	Stage III B / EPA Tier 4
	Cylinders and Type	4 / 4 Cycle	4 / 4 Cycle
	Rated Output : kW/min-1 (ISO 14396)	51.6 / 2000	52.0 / 2000
	Rated Output : kW/min-1 (ISO 9249)	49.6 / 2000	49.9 / 2000
	Maximum Torque : N·m	283 - 308	255
	Displacement : ml	3318	2999
PERFORMANCE	Engine Coolant : L	14	16
	Fuel Tank : L	128	128
	Battery (IEC 60095-1)	12V / 90A·h	12V/90A·h
	Travel Speed (1st/2nd) : km/h	2.6 / 5.0	2.6 / 5.0
	Maximum Tractive Force : kN	88.0	88.0
	Upper Slew Speed : min-1	10.3	10.3
	Gradeability : degrees	35.0	35.0
	Maximum Digging Force Bucket : kN	59.1	59.1
	Maximum Digging Force Arm : kN	40.0	40.0
	Ground Pressure : kPa	37.6	37.7
HYDRAULIC SYSTEM	Pump Type	Variable x 1 + Gear x 2	Variable x 1 + Gear x 2
	Set Pressure : MPa	27.5 x 1 + 24.0 x 1 + 3.4 x 1	27.5 x 1 + 24.0 x 1 + 3.4 x 1
	Discharge : L/min	160 x 1 + 60.6 x 1 + 16 x 1	160 x 1 + 60.6 x 1 + 16 x 1
	Slew Motor	Piston Motor	Piston Motor
	Travel Motor	2-Speed Piston Motor	2-Speed Piston Motor
SAFETY	Hydraulic Oil Capacity : L	73	73
	Safety	ROPS / OPG	ROPS / OPG
OPTION & EQUIPMENTS	SP1 : Flow Rate / Pressure (L/MPa)	100 / 20.6	100 / 20.6
	SP2 : Flow Rate / Pressure (L/MPa)	55 / 20.6	55 / 20.6
	SP3 : Flow Rate / Pressure (L/MPa)	A : 16 / 3.4 B : 55 / 20.6	A : 16 / 3.4 B : 55 / 20.6
	SP4 : Flow Rate / Pressure (L/MPa)	55 / 20.6	55 / 20.6

TAKEUCHI

WORLD CREATOR OF COMPACT EXCAVATOR
TAKEUCHI MFG.CO.,LTD.
 205, Uwadaira,Sakaki-machi, Hanishina-gun.
 Nagano 389-0605,Japan
 Phone (81)268-81-1112
 Telefax(81)268-81-1121
 URL <http://www.takeuchi-mfg.co.jp>
 E-mail:marketing@takeuchi-mfg.co.jp
 In accordance with our established policy of constant improvement, we reserve the right to amend this specification at any time without notice.Printed in Japan. TB141130

FULL HYDRAULIC EXCAVATOR

TB290



TAKEUCHI